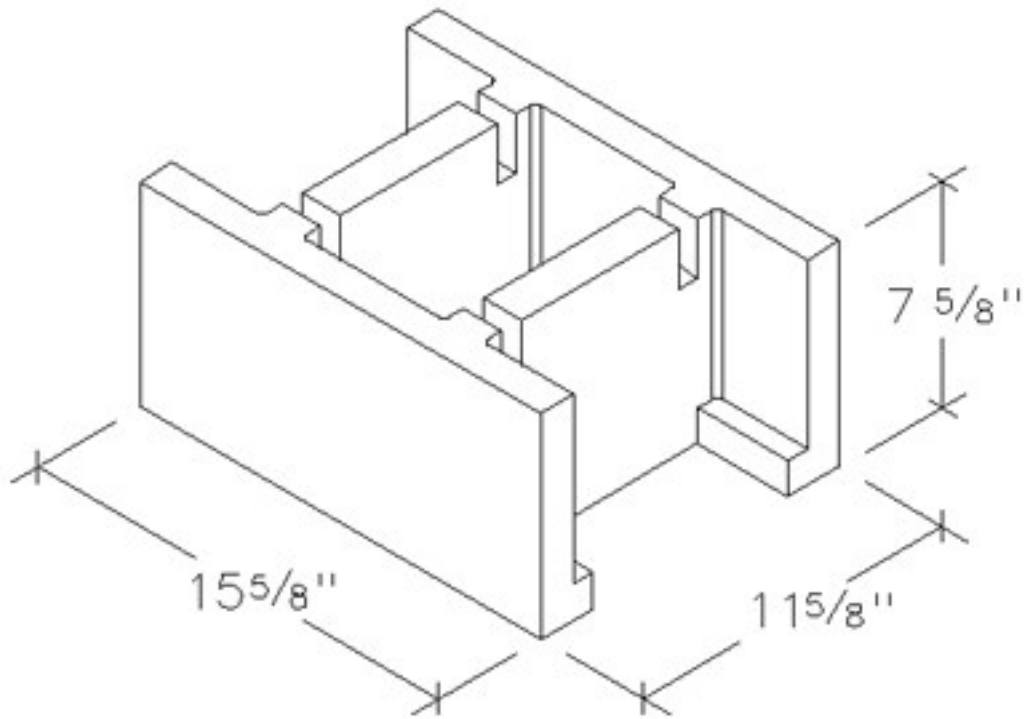



**12" Retaining Wall  
12 x 8 x 16**



<p><b>ACME LIGHT:</b> <b>LIGHT WEIGHT:</b> <b>NORMAL WEIGHT:</b></p>	<p><b>Dimensions:</b> <b>11 5/8" x 7 5/8" x 15 5/8"</b> W x H x L</p>
<p><b>CUBE QUANTITY:</b> 72 <b>PALLET:</b></p>	<p><b>PRODUCT #</b> <b>120816RW</b></p>
 <p><b>ACME</b> BLOCK &amp; BRICK INC.</p>	<p>248 Dayton Spur Road Crossville, TN 38555 Phone: 931-484-8435 <a href="http://www.AcmeBlockandBrick.com">www.AcmeBlockandBrick.com</a></p>